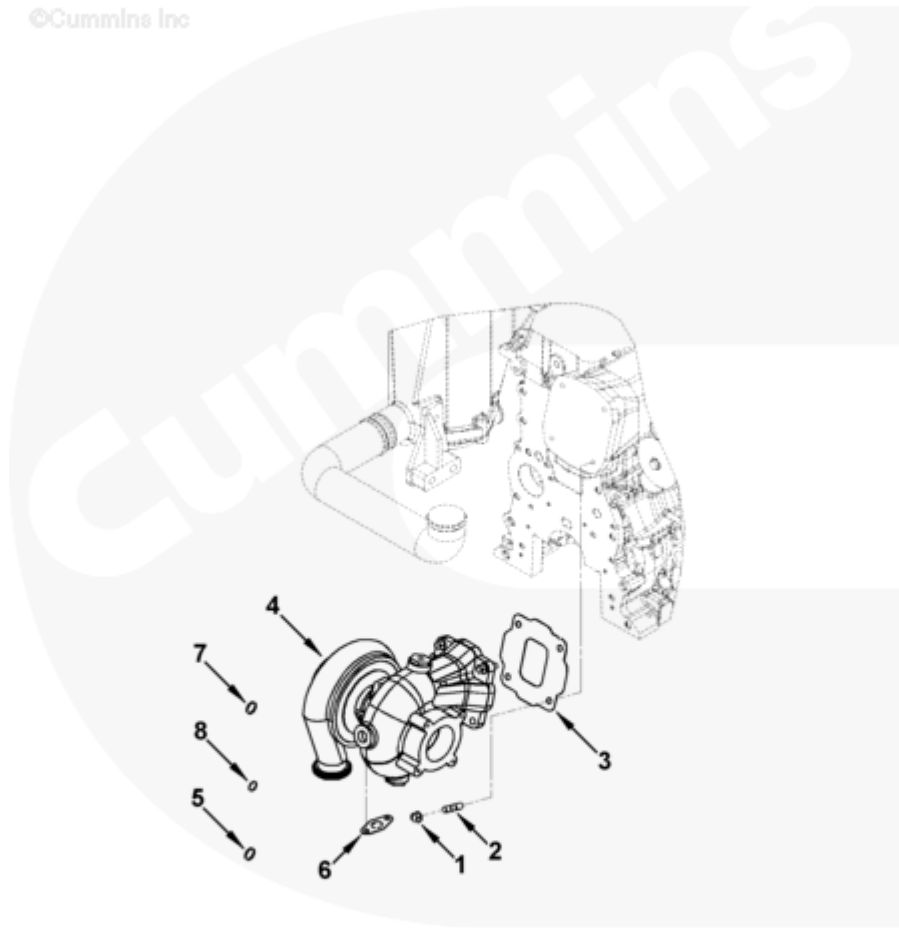




Parts Catalog - Option Detail

Electronic Parts Catalog - Option Detail				
Option	Group	Graphic	Film Card	Date
PP98796	10.05	pp963gm	T	03-FEB-11
Engines	4B3.9, 6A3.4, 6B5.9, B GAS INTERNATIONAL CM556, B4.5, B4.5 CM2350 B129B, B4.5 CM2350 B146C, B4.5 CM2350 B147B, B4.5 RGT, B4.5S, B5.9 G, B5.9 GAS PLUS CM556, B5.9 LPG, B5.9 LPG PLUS CM556, B6.7 CM2350 B121B, B6.7 CM2350 B135B, B6.7 CM2350 B136C, B6.7 CM2350 B148B, B6.7 G CMOH6.0 B125, B6.7N CM2380 B150B, B6.7S, F3.8 CM2350 F120B, F3.8 CM2350 F128C, F3.8 CM2350 F132B, F3.8 F102, G3.9, G5.9, G5.9 CM558, ISB (CHRYSLER), ISB CM2150, ISB CM2150 E, ISB CM550, ISB CM850, ISB/ISD4.5 CM2150 B119, ISB/ISD4.5 CM2150 SN, ISB/ISD6.7 CM2150 B120, ISB/ISD6.7 CM2150 SN, ISB/ISD6.7 CM2880 B126, ISB3.9 CM2220 B107, ISB4.5 CM2150, ISB5.9G CM2180, ISB6.7 2010 DCX PICKUP, ISB6.7 2013 DCX CHASSIS CAB, ISB6.7 CM2150 SQ, ISB6.7 CM2250, ISB6.7 CM2350 B101, ISB6.7 CM2350 B103, ISB6.7 CM2350 B142, ISB6.7 CM2670 B153B, ISB6.7 G CM2180 B118, ISBE CM2150, ISBE CM800, ISBE2/ISBE3 CM850, ISBE4 CM850, ISD4.5 CM2150, ISD6.7 CM2880 D101, ISF2.8 CM2220, ISF2.8 CM2220 AN, ISF2.8 CM2220 EC, ISF2.8 CM2220 ECF2, ISF2.8 CM2220 F101, ISF2.8 CM2220 F117, ISF2.8 CM2220 F122, ISF2.8 CM2220 F126, ISF2.8 CM2220 F129, ISF2.8 CM2220 IAN, ISF3.8 CM2220, ISF3.8 CM2220 AN, ISF3.8 CM2220 F103, ISF3.8 CM2220 F110, ISF3.8 CM2220 F116, ISF3.8 CM2220 F134B, ISF3.8 CM2220 IAN, ISF3.8 CM2350 F109, ISF4.5 CM2220 F123, ISG11 CM2880 G106, ISG11 CM2880 G108, ISG12 CM2880 G107, ISG12 CM2880 G109, ISG12 G CMOH6.0 G111, QSB3.9 30 CM550, QSB3.9 CM2880 B138, QSB4.5 30 CM550, QSB4.5 CM2150 B108, QSB4.5 CM2250 B131, QSB4.5 CM2250 EC, QSB4.5 CM2350 B106, QSB4.5 CM2350 B122			



pp963gm

SMALL | MEDIUM | LARGE

Cart	Ref No	Part Number	Part Description	Required	Remarks
View My Cart					
		PP98796	Turbocharger		Turbocharger...(More)
					Engine Family: "B" Series
					Engine Cylinders: 6
					Turbocharger location: Rmso
					Turbocharger outlet flange
					location: X: -146.6 y:
					404.9 z: -973.2
					Exhaust Outlet Flange Type:
					4 Bolt

					Turbo type: Water jacketed
					Turbocharger wheel material:
					Aluminum
					Turbocharger model: HX40 m
					CPR Outlet Flange Type: Hose
					Bead
					CPR Outlet On Engine Location
					(deg): 90 degrees down from
					horizontal
					Turbo mounting flange: Wet
					Base turbo ID17 P/N: 4039700
					Wastegate pressure
					setting (BAR): N/A SPIG
					orientation: N/A wastgate
					bracket orientation: N/A
<input type="checkbox"/>	1	3818824	Hexagon Flange Nut	4	M10 X 1.50.
<input type="checkbox"/>	2	3919666	Double End Plain Stud	4	
<input type="checkbox"/>		4090048	Turbocharger Kit	1	
<input type="checkbox"/>	3	3921926	Turbocharger Gasket	1	
	4	4039700	Turbocharger	1	Serviced as 4090048
<input type="checkbox"/>	5	3931824	O-Ring Seal	1	
<input type="checkbox"/>	6	5264568	Oil Drain Gasket	1	
<input type="checkbox"/>	7	3922794	O-Ring Seal	1	
<input type="checkbox"/>	8	3678603	O-Ring Seal	1	